

# CRIMSON 211



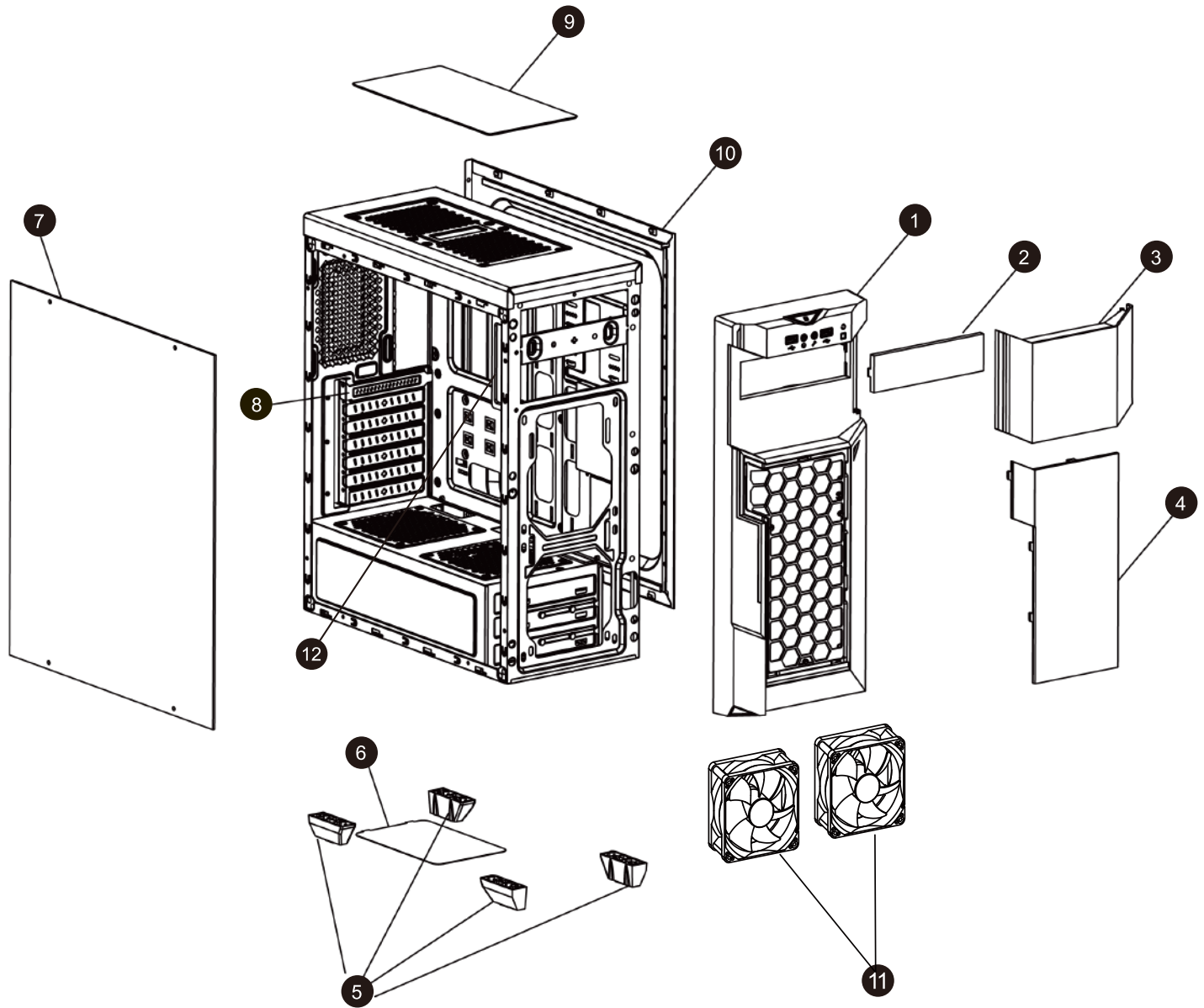
# USER MANUAL

1. Specifications
2. Chassis Parts
3. Control Panel Functions / ODD installation
4. 3.5"/2.5" HDD Installation
5. Cooling System Installation

# Specifications

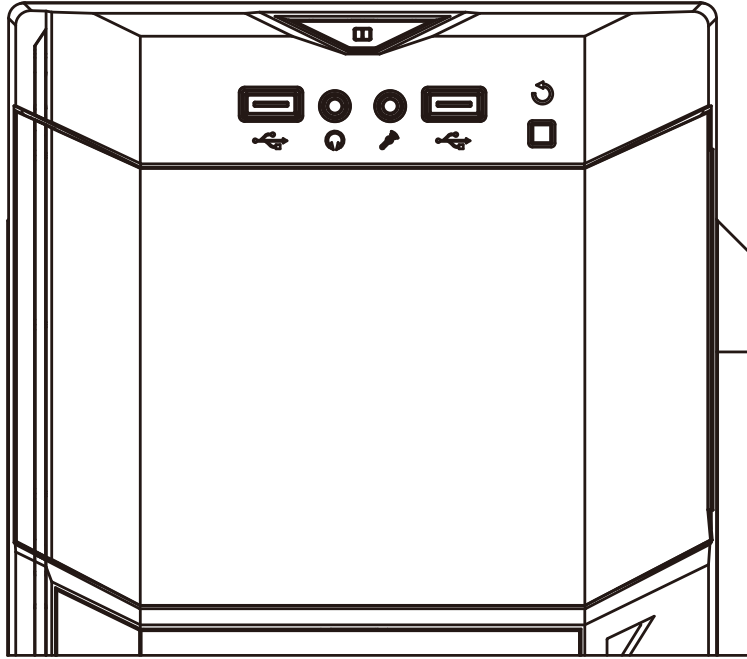
| <b>Model</b>                    |  |
|---------------------------------|--|
| Model Name                      | CRIMSON 211  |
| Model Number                    | CSAZ-211 / CSAZ-211G   |
| <b>Specs</b>                    |  |
| Type                            | ATX Mid-Tower  |
| Color                           | Black (exterior)/Black (interior)  |
| Side Panel Window               | CSAZ-211-Flat transparent side acrylic panel   |
|                                 | CSAZ-211G-Tempered Glass With Rubber Mounts  |
| Max CPU Cooler Height           | Up to 155 mm   |
| With Power Supply               | No   |
| Motherboard Compatibility       | ATX Micro ATX  |
| <b>Expansion</b>                |  |
| External 5.25" Drive Bays       | 1 (If an ODD is installed, then the length of the motherboard cannot exceed 229mm)                       |
| Internal 2.5" Drive Bays        | 3  |
| Internal 3.5" Drive Bays        | 3  |
| Expansion slots                 | 7  |
| <b>Front Ports</b>              |  |
|                                 | 1 x USB 3.0, 1 x USB 2.0, HD Audio, Mic.   |
| <b>Cooling System</b>           |  |
| 120mm Fan                       | 2x120mm Red LED fan in front   |
| <b>Physical Specs</b>           |  |
| Dimensions(HxWxD)               | 480x197x427mm / 18.9x7.8x16.8 inches   |
| Weight                          | 9.0 lbs (4.0 Kg)   |
| <b>Features</b>                 |  |
| Max VGA card length             | Support up to 340mm long VGA card.   |
| Transparent Side Window         | High-quality transparent side window allows for clear visuals to inner components.                       |
| Supports Water Cooling          | Supports 120mm/240mm water cooling radiator  |
| Isolated Chamber                | Power supply is isolated in its own chamber, preventing its heat from affecting other components.        |
| Cable Management                | Cables are hidden behind the pre-drilled motherboard tray; better cable management means better air flow |
| Easy installation of CPU Cooler | A pre-cut hole for easy installation of CPU cooler,eliminating the need to remove the motherboard        |





# Chassis Parts





|    |                             |
|----|-----------------------------|
| 1  | Front bezel                 |
| 2  | 5.25" Device Cover ×1       |
| 3  | Door                        |
| 4  | Acrylic cover               |
| 5  | Stand ×4                    |
| 6  | Dust filter                 |
| 7  | Acrylic left side panel     |
| 8  | PCI slot cover              |
| 9  | PVC dust filter with magnet |
| 10 | Right side panel            |
| 11 | 120mm Fan X2                |
| 12 | ODD tray                    |

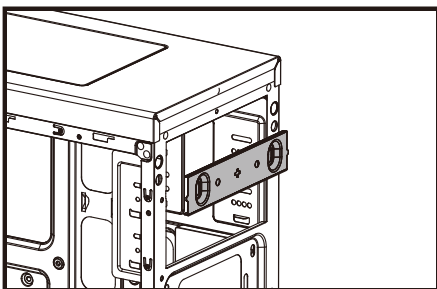
# Control Panel Functions



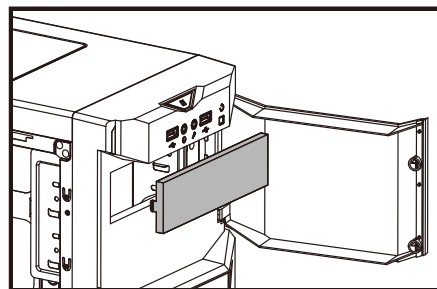
|   |               |
|---|---------------|
|    | USB3.0(Blue)  |
|  | USB2.0(Black) |
|  | Mic           |
|  | Audio         |

|   |       |
|---|-------|
|   | Power |
|  | RESET |

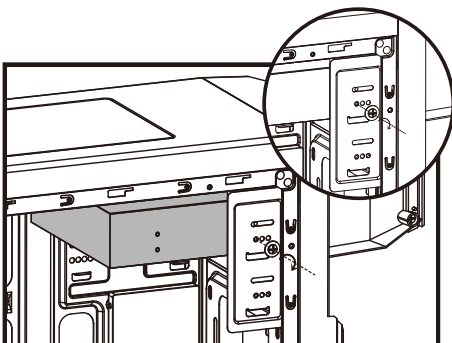
# ODD installation



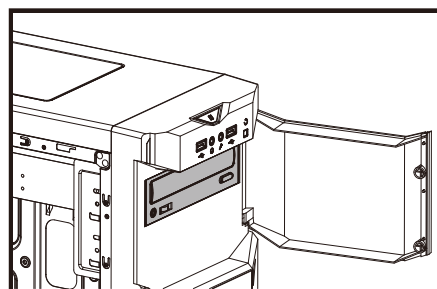
Remove 5.25" metal cover.



Take out drive cover.

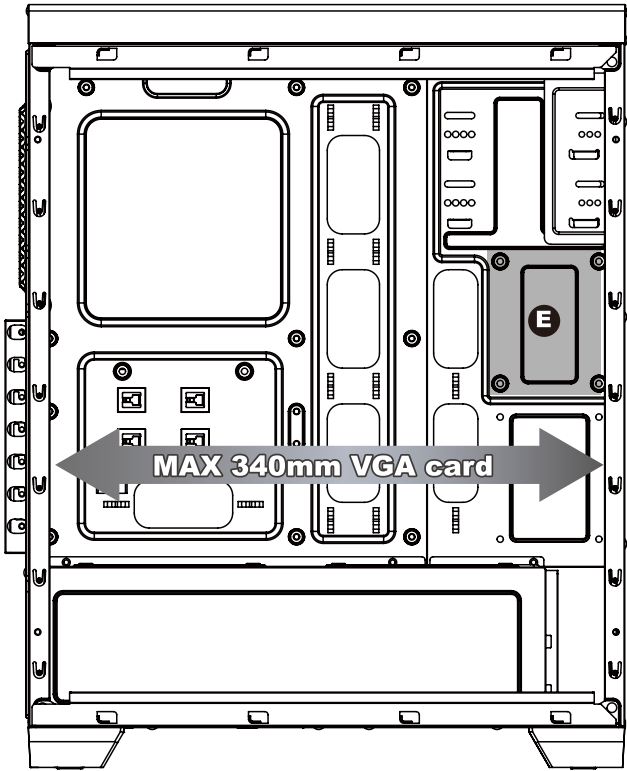


Secure ODD drive.



Insert ODD drive.

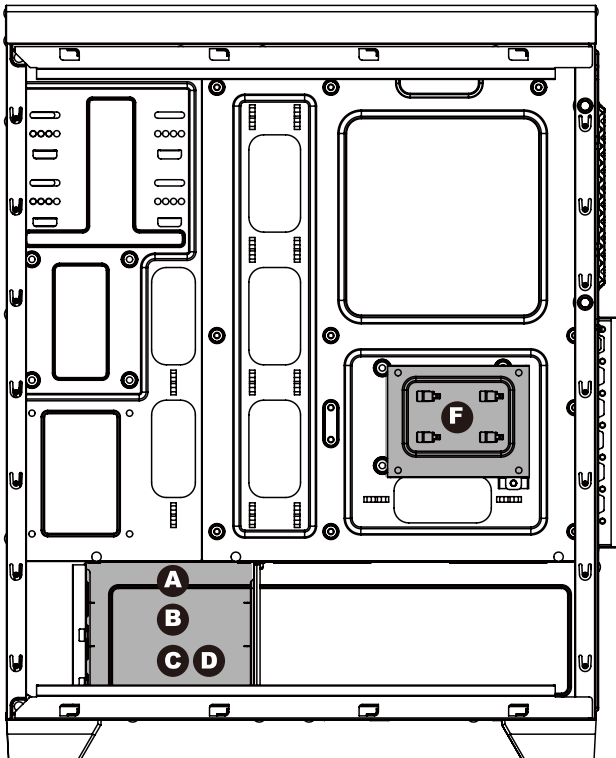
# 3.5" / 2.5" HDD Installation



▪ Supports up to 340mm long video cards.



or

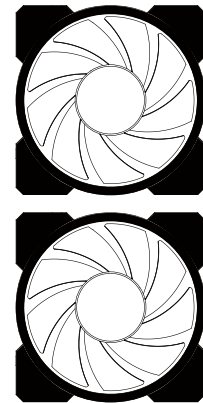
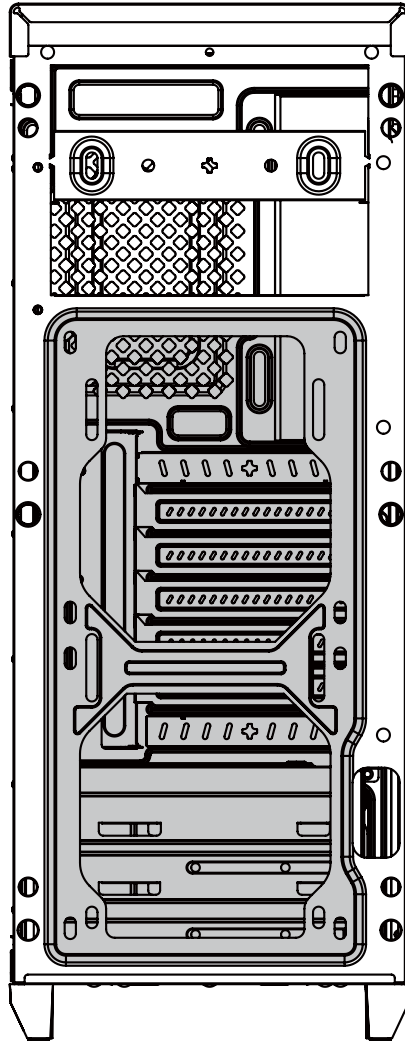


▪ Supports 3.5" HDD X3 (A B C)

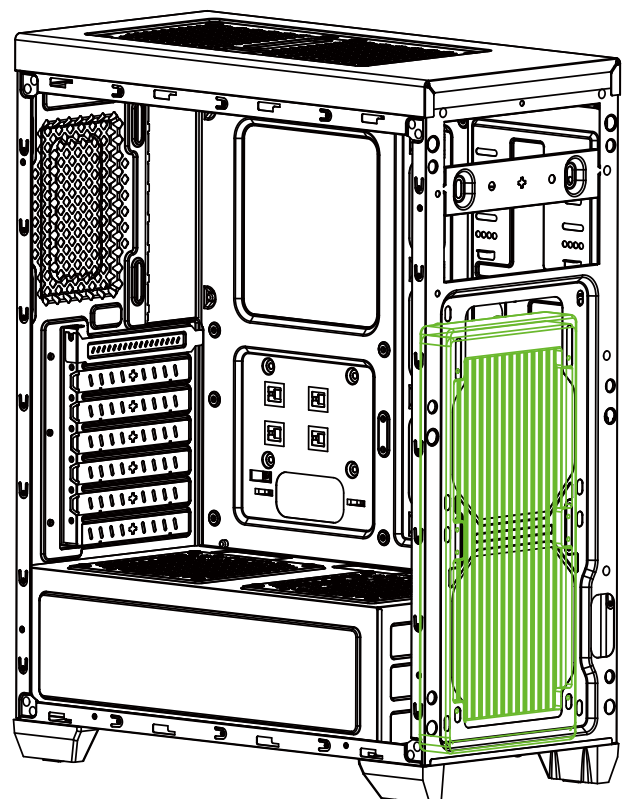
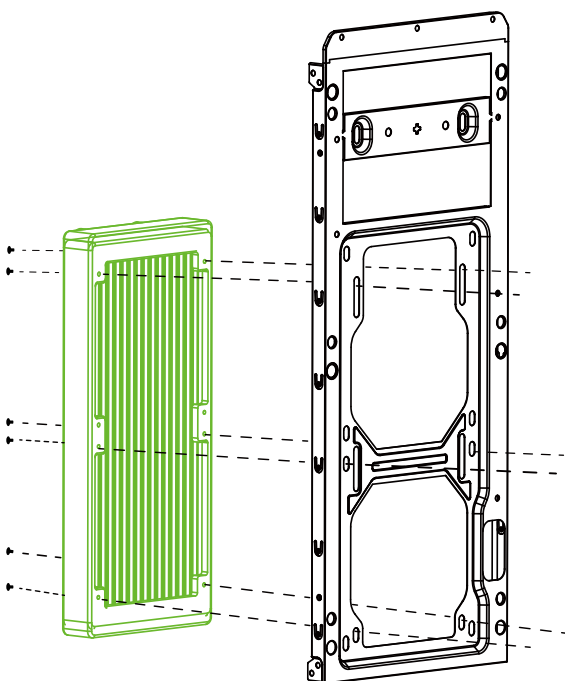
▪ Supports 2.5" Devices X3 (D E F)

# Cooling System Installation

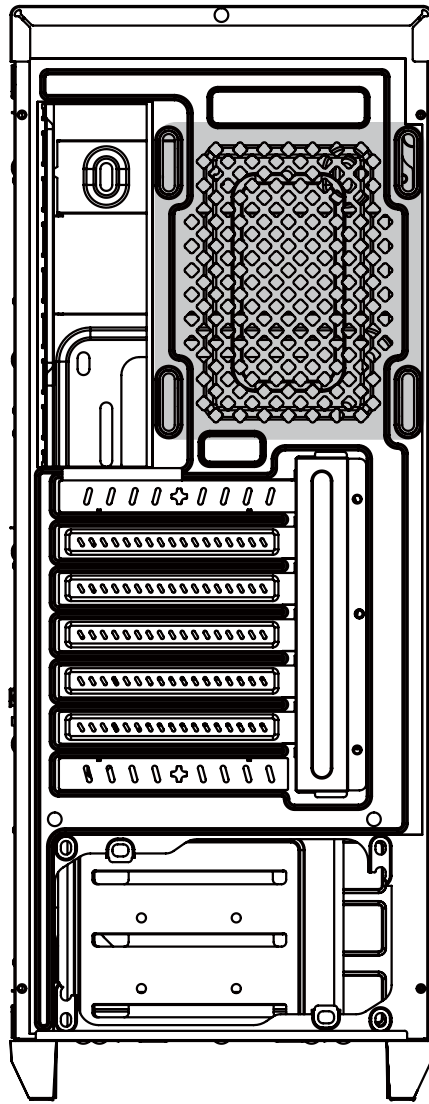
**Front**



**120mm x2**

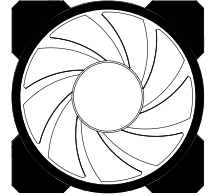


# Cooling System Installation

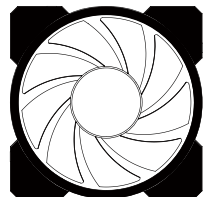
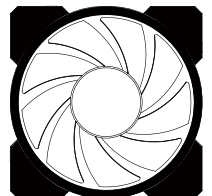
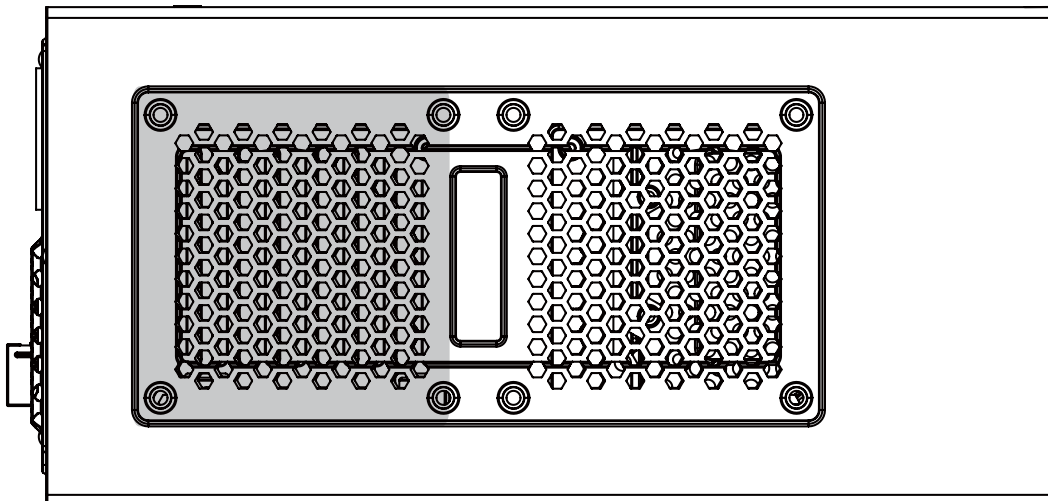


**Rear**

120mm x1



**Top**



120mm x2



**AZZA**  
ONE VISION. ONE MISSION



[www.azzatek.com](http://www.azzatek.com)