

AZZA
ONE VISION. ONE MISSION

**TITAN
240**

USER MANUAL



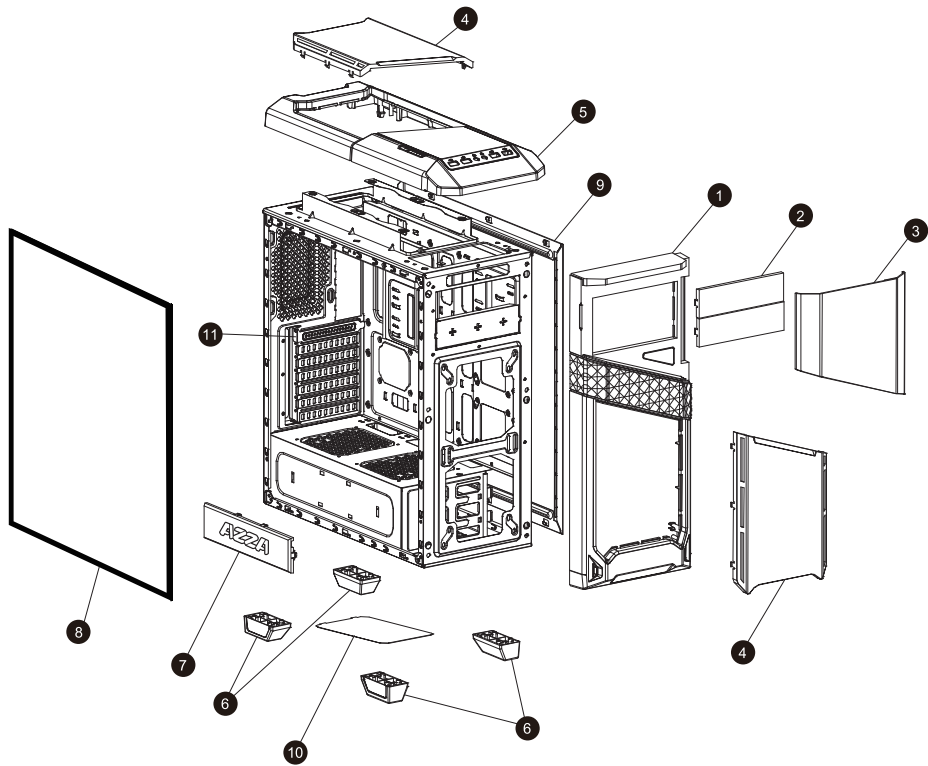
www.azzatek.com

1. Specifications
2. Chassis Parts
3. Control Panel Functions
4. ODD Installation
5. Outstanding Expandability / Excellent Compatibility
6. 3.5"/2.5" HDD Installation
7. Optional Liquid Cooling System

Specifications

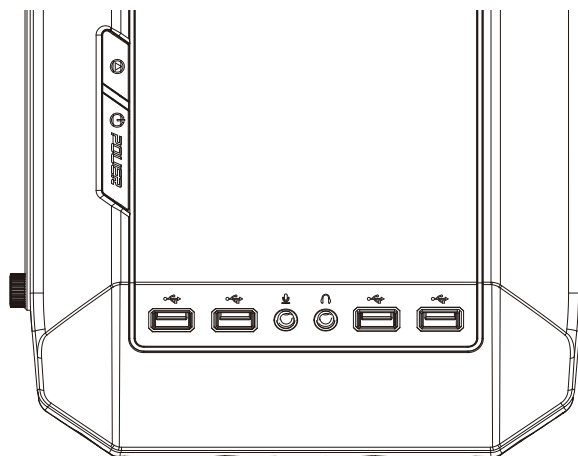
Model	
Model Name:	Titan
Model Number:	CSAZ-240 / CSAZ-240X
Specs	
Type:	ATX Mid-Tower
Color:	Black
Side Panel Window:	Tempered Glass
Max CPU Cooler Height	Up to 155mm
With Power Supply:	No
Motherboard Compatibility:	ATX, Full ATX, Micro ATX
Expansion	
External 5.25" Drive Bays:	2
External 3.5" Drive Bays:	0
Internal 2.5" Drive Bays	Up to 5
Internal 3.5" Drive Bays:	Up to 3
Expansion slots:	7
Front Ports	
CSAZ-240:	1xUSB 3.0; 3xUSB 2.0; Audio port
CSAZ-240X:	2xUSB 3.0; 2xUSB 2.0; Audio port
Cooling System	
120mm Fan:	120mm LED front fan; 120mm black rear fan
Physical Specs	
Dimensions(HxWxD)	510mm x 198mm x 450mm
Weight	6.3kg (13.89 lbs)
Features	
Max VGA card length	Supports up to 380mm long VGA cards
Tempered Glass Side Window	High-quality tempered glass side window allows for clear visuals to inner components.
Available Fan Ports	2x120mm fan ports on top 2x120mm/2x140mm fan ports in front(1x120mm LED fan installed) 2x120mm fan ports on bottom 1x120mm fan port in rear(installed)
Supports Water Cooling	Supports 120mm/140mm/240mm water cooling radiator
Bottom Mount Power Supply:	Power supply located at the bottom
Cable Management:	Cables are hidden behind the pre-drilled motherboard tray-- better cable management means better air flow








Chassis parts



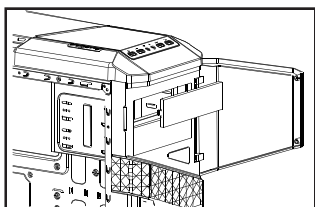
1	Front bezel
2	5.25" Device cover X2
3	Door
4	Acrylic cover
5	Top cover
6	Stand X4
7	Logo plate with back lights
8	Left side panel
9	Right side panel
10	Dust filter
11	PCI slot cover

Control panel functions

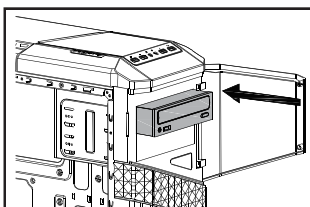


	Reset		USB3.0(Blue)
	Power & HDD LED		USB2.0(Black)
	Power		Mic
			Audio

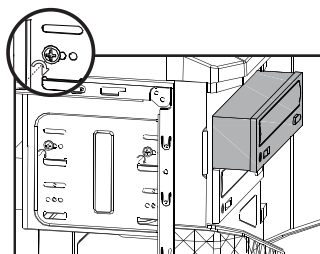
ODD Installation



Take out drive cover.

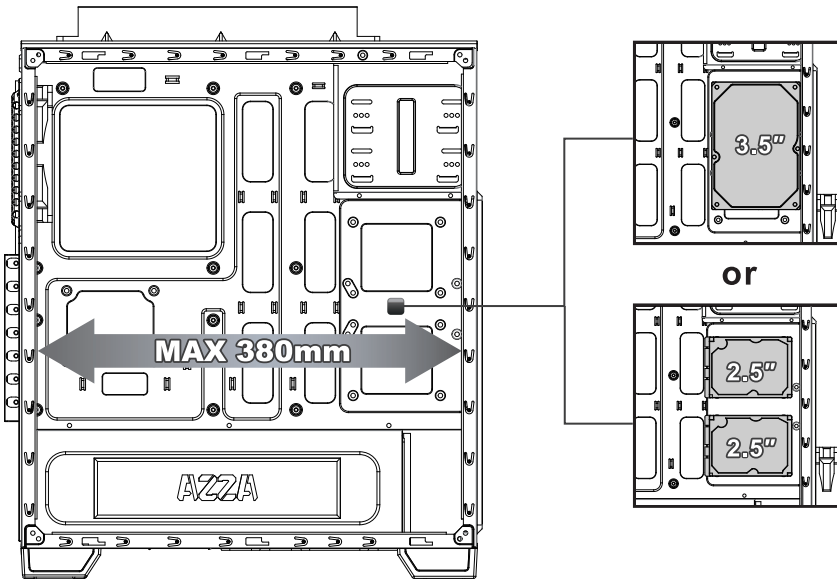


Insert ODD drive.



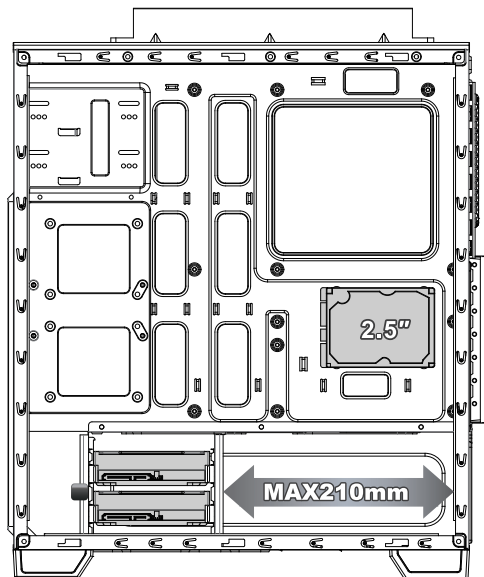
Fix ODD drive.

Outstanding Expandability/Excellent Compatibility

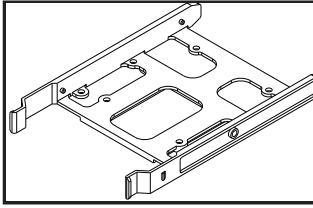


- Two 2.5" SSD or one 3.5" HDD can be installed on the MB side.
- Supports VGA cards up to 380mm in length.

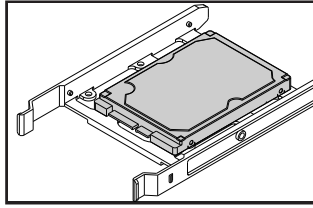
- Two multifunctional brackets support 3.5" HDD or 2.5" SSD.
- Supports PSUs up to 190mm in length.



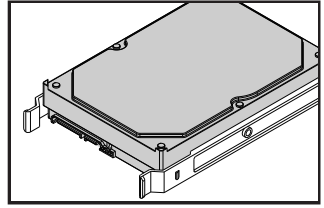
3.5 "/ 2.5" HDD Installation



Multifunctional bracket.

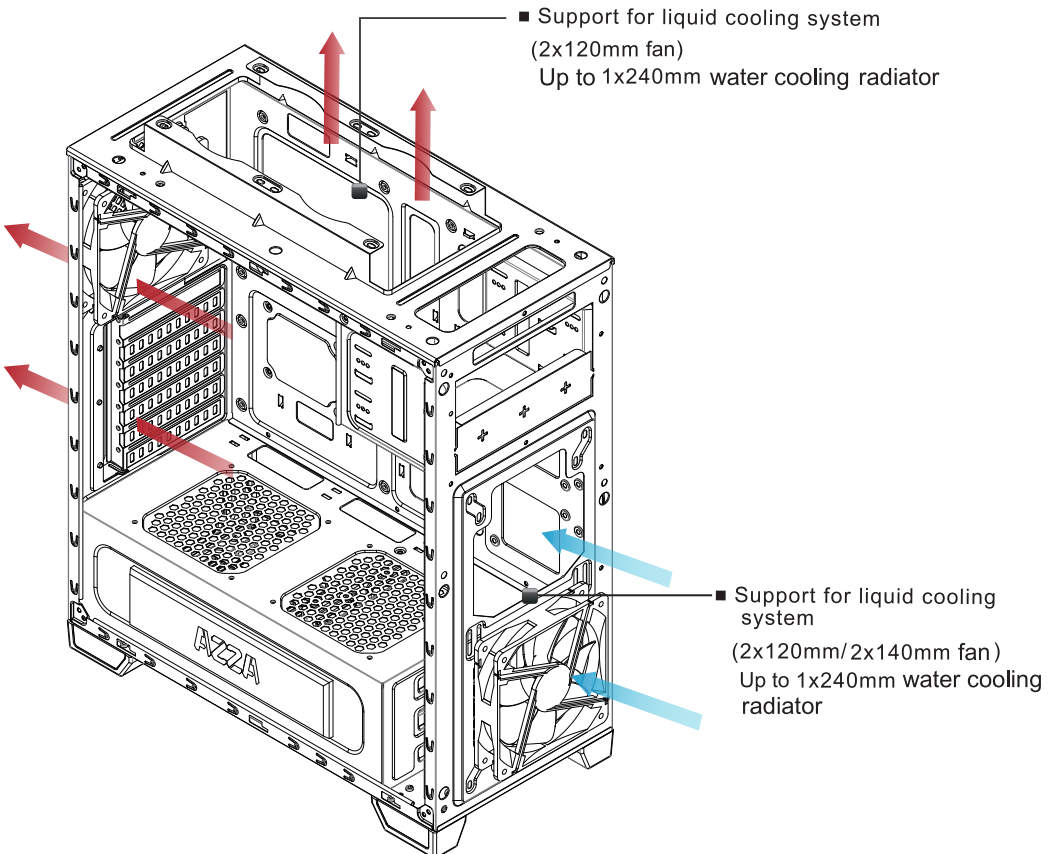


Fix 2.5" SSD / HDD with screws.



Fix 3.5" HDD with screws.

Optional liquid cooling system



AZZA
ONE VISION. ONE MISSION