

# RAVEN 420

MID-TOWER TEMPERED GLASS GAMING CASE

## USER MANUAL

www.azdatek.com

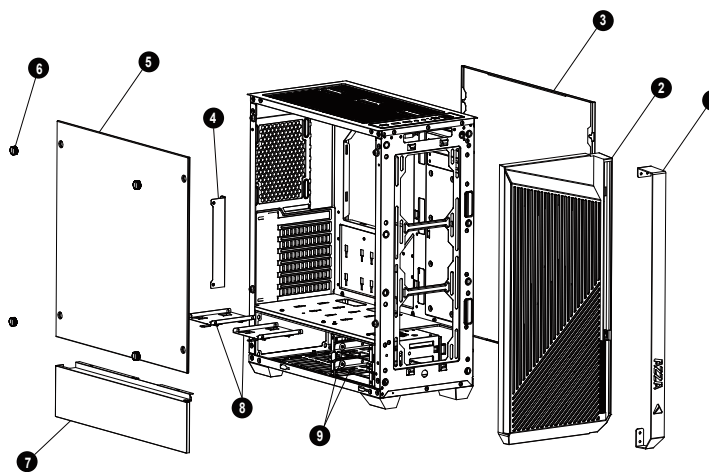
### Installation Instructions

1. Specifications
2. Chassis Parts
3. Control Panel Functions
4. 3.5"/2.5" HDD Installation
5. Cooling System Installation

### Specifications

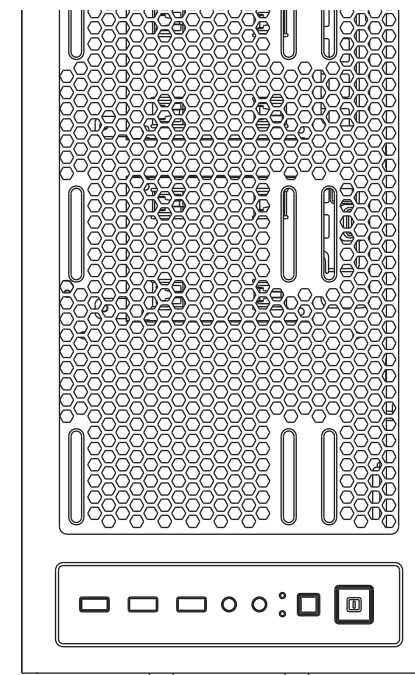
<b>Model</b>	
Model Name:	RAVEN 420
Model Number:	CSAZ-420DF1 / CSAZ-420LF / CSAZ-420F / CSAZ-420
<b>Specifications</b>	
Type:	ATX Mid Tower
Color:	Black(exterior)/black(interior)
Side Panel Window:	Left Side panel: Tempered Glass with rubber mounts
Max CPU Cooler Height:	UP to 155mm
Max Video Card Length:	Up to 370mm long video card
Power Supply:	Not Included
Motherboard Compatibility:	ATX - Micro ATX
<b>Expansion</b>	
External 5.25" Drive Bays:	0
Internal 2.5" Drive Bays:	Up to 6
Internal 3.5" Drive Bays:	Up to 2
Expansion Slots:	7
Top Ports:	Power button, reset button, HD Audio, USB 3.0 x 2
<b>Physical Specifications</b>	
Case Dimension (HxWxD)	480x205x425mm/18.9x8.1x16.7 inches
Weight:	6kg /13.2lbs
<b>Features</b>	
Tempered Glass Sides Window:	High-quality tempered glass side window allows for clear visuals to inner components
Addressable RGB Light Effects: (CSAZ-DF1 only)	Addressable RGB light fan in the rear. All Addressable RGB light devices sync with the motherboard, allowing the motherboard software to directly control the lighting.
Available Fan Ports:	3x120mm or 2x140mm Fan ports in the front 2x120mm or 2x140mm Fan ports on the top 1x120mm Fan port in the rear
The available fan included:	CSAZ-420DF1: Digital RGB fan CSAZ-420LF: LED Fan CSAZ-420F: Front - 1 x Black fan ; Rear - 1 x Black fan CSAZ-420 : Case only
Water Cooling:	Supports radiators up to 240 mm in the Front Supports radiators up to 240 mm on the Top
Dust filters	Removable (magnetic) dustproof net on the top, iron net on bottom of chassis.
Power Supply Support	Bottom mounted ATX Power Supply

### Chassis Parts



1	Trims of front panel
2	Front panel
3	Right side metal panel
4	PCI slot cover
5	Left side tempered glass panel
6	Screws for side glass panel
7	Left side metal panel
8	2.5"SSD brackets X2
9	3.5"HDD brackets X2

### Control panel functions



	Power		Reset
	USB3.0(Blue)		Mic
	USB3.0(Blue)		Audio

